

Installation Instruction

Rosenberger

Rosenberger cold weld connector for 1/4" helically corrugated coax. cable

MA_1P1-C09



Cold Weld toolset:
Rosenberger 11W119-C09/90 inserts with RIDGID tool RP 210/240 and Press Frameset 7/8"



A) SLZ0002-000



B) 60W110-C09



SLZ0009-000
SLZ0009-001
SLZ0009-003



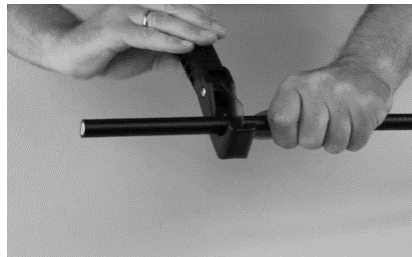
SLWK111P-C09 (optional)



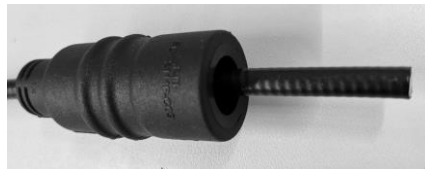
SLT004-001



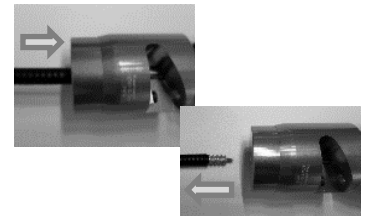
Stripping toolset:
Rosenberger 60W110-C09 with drill or handle configuration



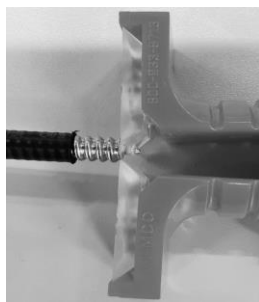
- 1) Straighten the first 250 mm (10") of the cable.
- 2) Cut the first 40 mm (1.5") of the cable with cable cutter shown on picture A)



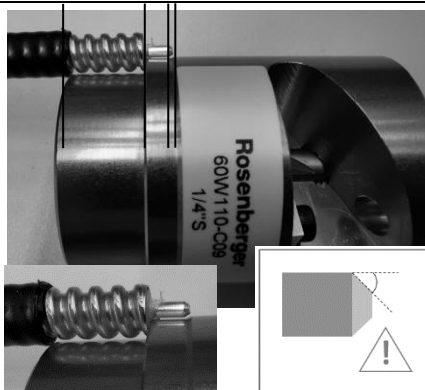
- 3) Insert the boot on the cable (optional)
- 4) Clean cable with a cloth to remove any grease that may have deposited on cable jacket.



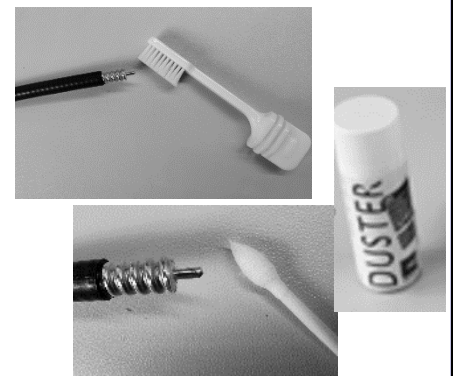
- 5) Insert the cable into the stripping tool
- 6) Strip cable with the drill set on low speed to remove the jacket, the outer conductor, and the dielectric. The tool will chamfer the center conductor
- 7) Pull cable out of stripping tool



- 8) Remove any dielectric left over from the center conductor using the SLT004-001 tool. The center conductor should be free of dielectric before continuing with the next step



- 9) Check the stripping dimensions with gauge on tool. All cut surfaces incl. the jacket, center and outer conductor, have to be clean without any shavings left uncut.
- 10) **Check the chamfer on the inner conductor, it is very important for future assembling.** Check the roundness of outer conductor.



- 11) Clean the surfaces of the center conductor, the dielectric and outer conductor with brush, alcohol swab, and compressed air

Dieses Dokument ist urheberrechtlich geschützt • This document is protected by copyright • Rosenberger Hochfrequenztechnik GmbH & Co. KG
RF_35/09.14/6.2

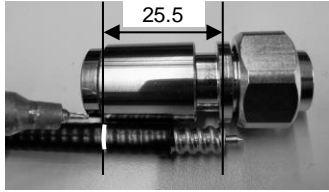
Draft	Date	Approved	Date	Rev.	Eng. change number	Name	Date
Rong Fang	16.10.2020	Martin Wimmer	08.11.2021	200	21-v468	Rong Fang	08.11.2021

Rosenberger Hochfrequenztechnik GmbH & Co. KG
P.O.Box 1260 D-84526 Tittmoning Germany
www.rosenberger.com

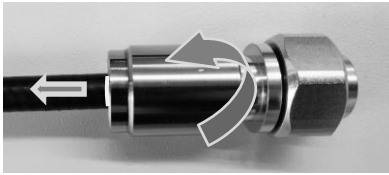
Tel.: +49 8684 18-0
Fax.: +49 8684 18-1499
email: info@rosenberger.com

Page
1 / 2

Dieses Dokument ist urheberrechtlich geschützt • This document is protected by copyright • Rosenberger Hochfrequenztechnik GmbH & Co. KG



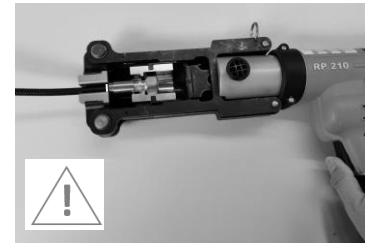
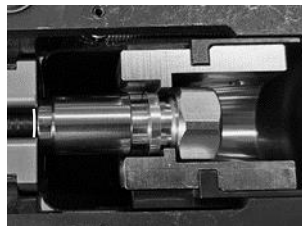
12) Put a mark on the cable jacket at about 25.5 mm (1") from the edge of outer conductor. Check by aligning the edge of outer conductor with bottom of first flange on the connector. The mark should coincide with the chamfer close to the end of connector.



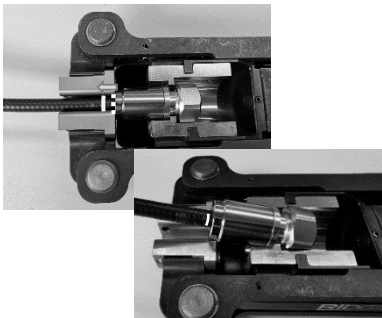
13) Screw in the connector onto the prepped end of the cable until you have a good snug fit. Check that there is no axial movement between the connector and the cable. This will indicate the tip of the cable reached the end of the connector.



14) Place the connector with cable into the frame set with the proper inserts previously inserted in the tool and make sure connector is fully flat seated in frame.



15) Pull the trigger on the RIDGID tool until the gun cycles. Do not pull or push on tool during compression.
16) Keep hands off the frameset while the tool is running. Refer to the RIDGID tool manual for a safe operation



17) Make sure the connector has been fully compressed until stop. The mark is pushed back after the connector is compressed.

18) Carefully take the compressed connector and cable out of the frameset.



19) The Cold Weld connector install is complete.
20) Check the stripping tool for any cable debris. Clean accordingly. Keeping this tool clean after every operation will help extending the operational life.



21) If a boot was required and placed in step 3 (optional), push the boot closer to the assembled connector to prepare for the the sealing on the mated connector pair.



22) Boot install is complete after the connector is mated.

* In harsh and aggressive environments, e.g. coastal areas, areas with high ammonia concentration etc., the weather proofing boot SLWK111P-C09 is recommended for material protection.

- Link of assembly instruction: https://www.rosenberger.com/siso/cold-weld-instruction/ma_1p1-c09
- Link of video: <https://www.rosenberger.com/coldweld>

⚠ Safety requirements:
Protect yourself with safety glasses, safety shoes and gloves.

While the information has been carefully compiled to the best of our knowledge, nothing is intended as representation or warranty on our part and no statement herein shall be construed as recommendation to infringe existing patents. In the effort to improve our products, we reserve the right to make changes judged to be necessary.

For the installation of the electrotechnical equipment, particular electrotechnical expertise is required.



Draft	Date	Approved	Date	Rev.	Eng. change number	Name	Date
Rong Fang	16.10.2020	Martin Wimmer	08.11.2021	200	21-v468	Rong Fang	08.11.2021

RF_35/09.14/6.2